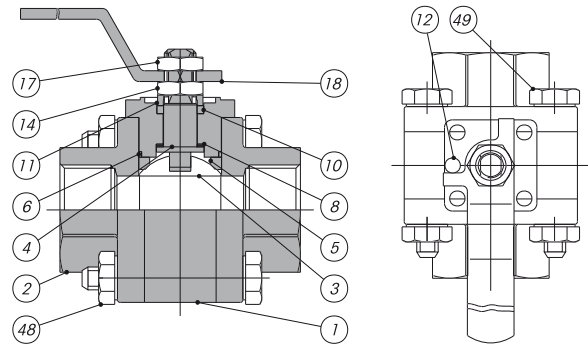


YC846 2  
YC846 4  
YC846 6

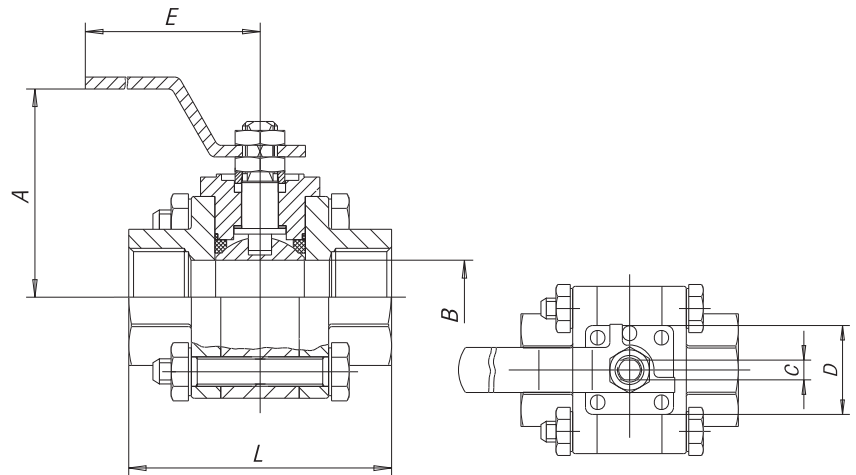
## Stainless Steel Ball Valve - S ocket Weld / B SP / NP T

3 Piece, Full Bore, Stainless Steel Body, Ball & Stem, Carbon Graphite Filled PTFE Seats, Snti-static Device, ISO Topworks, Lockable Lever



### Material List

N°	Part	Material
1	Body	A351 - CF8M
2	Female End	A351 - CF8M
3	Ball	AISI 316
4	Stem	AISI 316
5	Seat	PTFE
6	Side Sealing Ring	PTFE
8	Upper Sealing Ring	PTFE
10	Upper Seal	PTFE
11	Gland Washer	AISI 316
12	Stop	AISI 304
14	Stem Retaining Nut	AISI 304
17	Locking Nut	AISI 304
18	Lever	AISI 304
48	Screw	Stainless Steel
49	Nut	Stainless Steel



### Dimensions

Size	A	B	C	D	E	L	N	S	ISO	Kg	Kv
1/4"	63	10.9	4.7	36	125	60	14.2	11.2	F03	630.00	
3/8"	63	12.7	4.7	36	125	60	17.6	11.2	F03	630.00	11
1/2"	71	16	5	36	127	75	21.8	11.2	F03	860.00	20
3/4"	75	19.6	5	36	127	80	27.2	14.3	F03	1450.00	60
1"	82	25	8	42	150	90	33.8	18.3	F04	2810.00	100
1 1/4"	87	32	8	42	150	110	42.7	18.3	F04	3810.00	130
1 1/2"	96	38.1	9.5	50	190	120	48.8	19.1	F05	5080.00	170
2"	105	50.8	9.5	50	190	140	61.2	21.3	F05	6580.00	280

SW CONNECTIONS  
SW-ANSCHLÜSSE

